

Universal Cervical Collar

FITTING INSTRUCTIONS



W A R N I N G S

WARNING: CAREFULLY READ FITTING INSTRUCTIONS AND WARNINGS PRIOR TO USE. TO ENSURE PROPER PERFORMANCE OF THE BRACE, FOLLOW ALL INSTRUCTIONS.

WARNING: IF YOU EXPERIENCE, OR HAVE AN INCREASE IN PAIN, SWELLING, SKIN IRRITATION, OR ANY ADVERSE REACTIONS WHILE USING THIS PRODUCT, IMMEDIATELY CONSULT YOUR MEDICAL PROFESSIONAL.

WARNING: THIS DEVICE WILL NOT PREVENT OR REDUCE ALL INJURIES. PROPER REHABILITATION AND ACTIVITY MODIFICATION ARE ALSO AN ESSENTIAL PART OF A SAFE TREATMENT PROGRAM. CONSULT YOUR LICENSED HEALTH CARE PROFESSIONAL REGARDING SAFE AND APPROPRIATE ACTIVITY LEVEL WHILE WEARING THIS DEVICE.

CAUTION: FOLLOW APPLICATION AND CARE PROCESS DESCRIBED IN INSTRUCTIONS.

CAUTION: FOR SINGLE PATIENT USE ONLY.



Breg, Inc.

2885 Loker Ave. East
Carlsbad, CA 92010 U.S.A.

P: 800-321-0607

760-795-5440

F: 800-329-2734

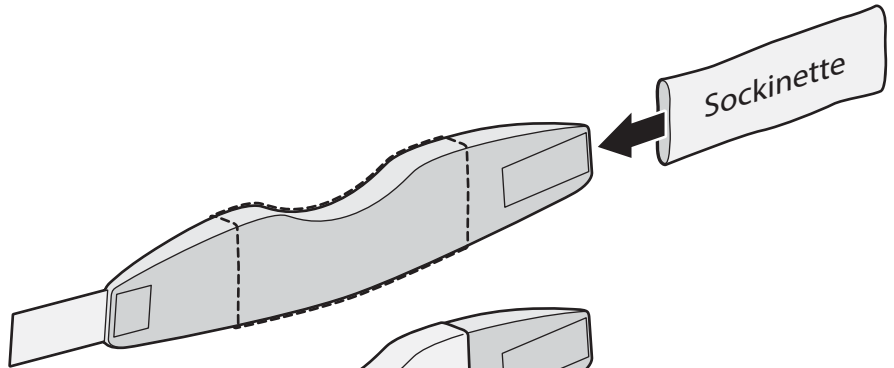
www.breg.com

©2014 Breg, Inc.

AW 1.90212 REV B 1014

1

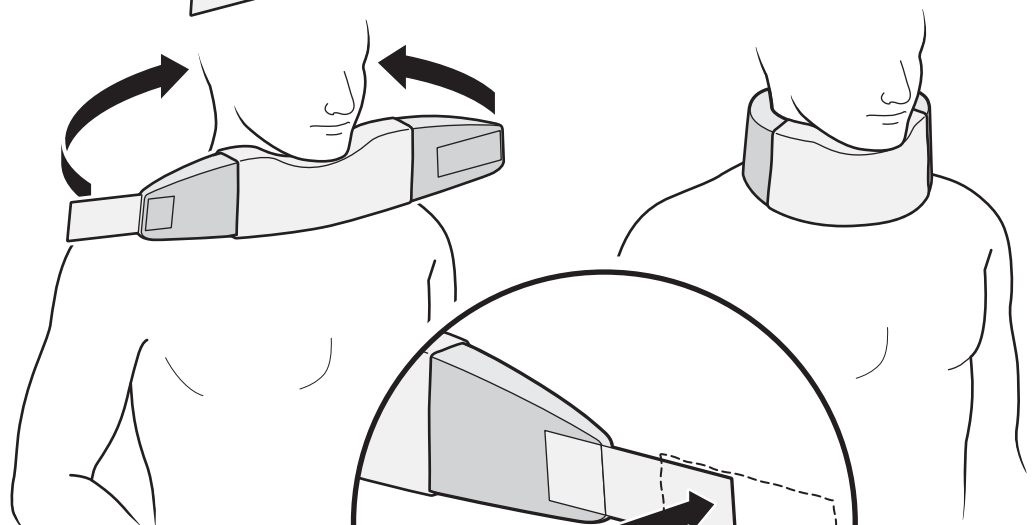
Unfasten hook and loop closure and slide Cervical Collar through sockinette. The sockinette should be centered around the dip in the brace.



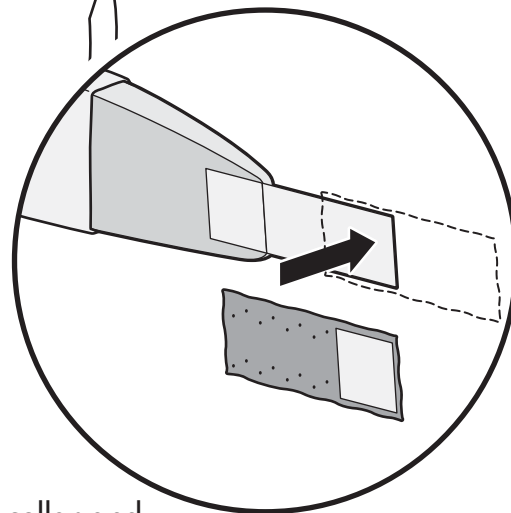
2

Rest the patient's chin in dip in Cervical Collar and wrap the collar around the patient's neck.

Fasten hook and loop closure.



To increase the circumference of the collar, attach blue extension strips to hook and loop closure.



Washing Instructions: Remove sockinette from collar and hand wash in warm water using a mild detergent. Air dry.