



POLAR CARE® GLACIER™

OPERATING INSTRUCTIONS for Patients and Medical Professionals

⚠ WARNING The Polar Care Glacier can be cold enough to seriously injure the skin. Read and follow these Operating Instructions, the Product Insert (see pouch on back of unit), and the Polar Pad Fitting Instructions (provided with each Polar Pad).

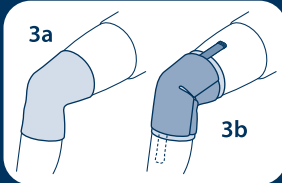
1 ⚠ Discuss Treatment with your Licensed Health Care Practitioner

Provide a complete medical history including any reactions to cold. Certain medical conditions make cold-induced injury more likely. Ask your practitioner about potential adverse reactions and cold induced injuries.

2 ⚠ Use Only As Prescribed

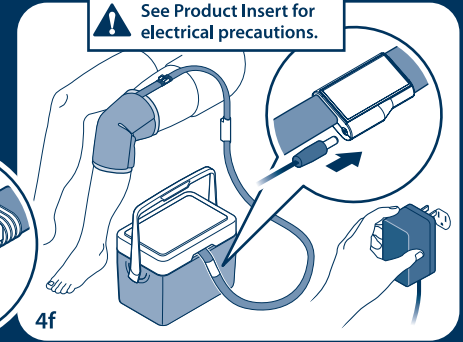
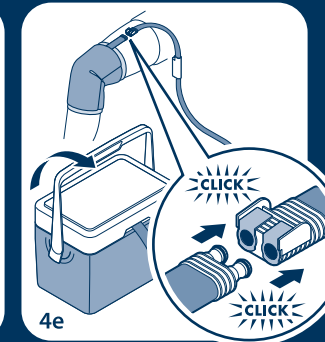
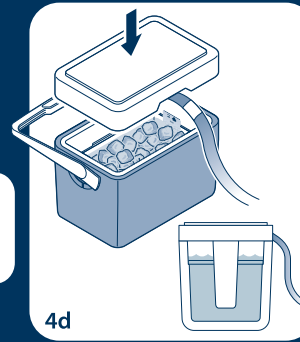
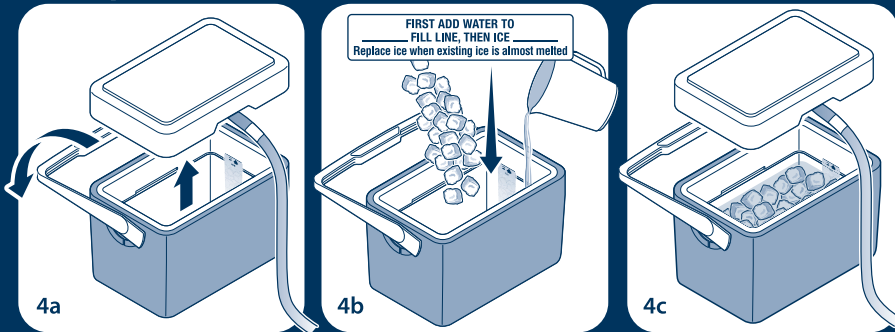
Use only according to your practitioner's instructions regarding the frequency and duration of cold application and breaks, temperature control settings and adjustments, how and when to inspect the skin, and total length of treatment. Federal law restricts this device to sale by, or on the order of, a licensed health care practitioner.

3 ⚠ Apply Insulation Barrier & Polar Pad



Always use an insulation barrier (such as Breg Polar Dressing, Webriil, Kerlix, cast padding, elastic bandage) between the Polar Pad and skin. **Do not let any part of the pad touch skin.** If a sterile dressing has been applied to the treatment site that does not completely cover the skin under the pad, use an additional insulation barrier. Use only with Breg Polar Pads, sold separately. Other pads may be colder, increasing the risk of skin injury.

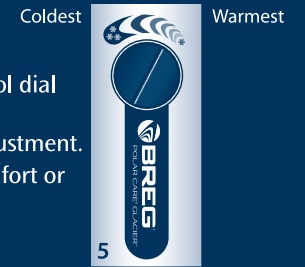
4 Set Up Unit



5 Adjust Temperature

Set the temperature according to your physician's instruction:

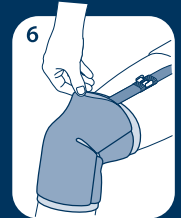
- Unless otherwise directed by your physician, start with the temperature control dial at the coldest setting (pointed left).
- Wait ten minutes for temperature to stabilize after starting and after each adjustment.
- Adjust temperature control dial clockwise (warmer) as needed for patient comfort or as directed by your physician.



6 ⚠ Skin Inspection

Inspect the skin under the Polar Pad (by lifting the edge) as prescribed, typically every 1 to 2 hours. Do not use the Polar Care if dressing, wrapping, bracing, or casting over the Polar Pad prevents skin checks.

Stop using and contact your practitioner immediately if you experience any adverse reactions, such as: increased pain, burning, increased swelling, itching, blisters, increased redness, discoloration, welts, other changes in skin appearance, or any other reaction identified by your practitioner.



7 Ending Session

To stop the pump, disconnect electrical power. To disconnect the Polar Pad from the pump hose, depress the two metal tabs on the hose coupling and gently pull apart.

SPECIFICATIONS Product # 10901

At coldest setting (pointed left), Average Operating Range of Polar Pad with Polar Dressing ≥45°F (≥7.2°C)

Plug 1.3 mm x 3.5 mm x 9.5 mm CTR Pin Positive

Weight 5.0 lbs (2.3 kg) Empty, 19.7 lbs (9.5 kg) Filled

Power 6 VDC 600-1000 mA

AW-1.93234 REV A 0112

© 2012 Breg, Inc. All rights reserved.

Polar Care is a registered trademark and Glacier is a trademark of Breg, Inc.



breg.com/PCG

DIELINE- DO NOT PRINT