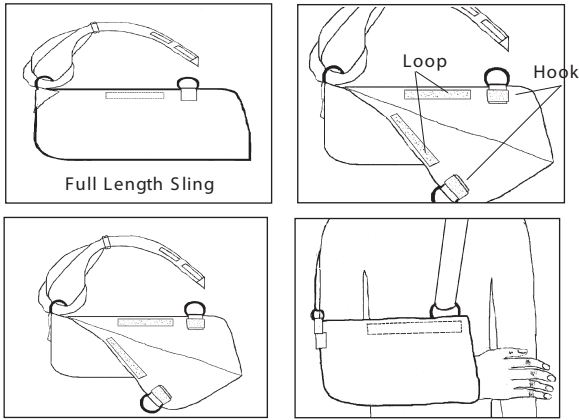


Classic Arm Sling, Universal

Application Instructions



1. Depending on arm length, size sling by adjusting the hook and loop on the inside of the sling.
2. Fold material over as shown above and attach hook and loop.
3. Position open sling on affected arm and secure strap around neck.



Manufactured For:

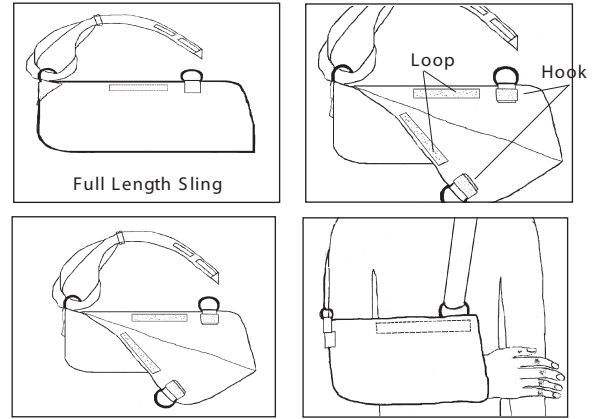
Breg, Inc.
2611 Commerce Way
Vista, CA 92081 U.S.A.
P: 800-321-0607
F: 800-329-2734

www.breg.com
Breg is an Orthofix company

AW - 1.94007 Rev B 0411

Classic Arm Sling, Universal

Application Instructions



1. Depending on arm length, size sling by adjusting the hook and loop on the inside of the sling.
2. Fold material over as shown above and attach hook and loop.
3. Position open sling on affected arm and secure strap around neck.



Manufactured For:

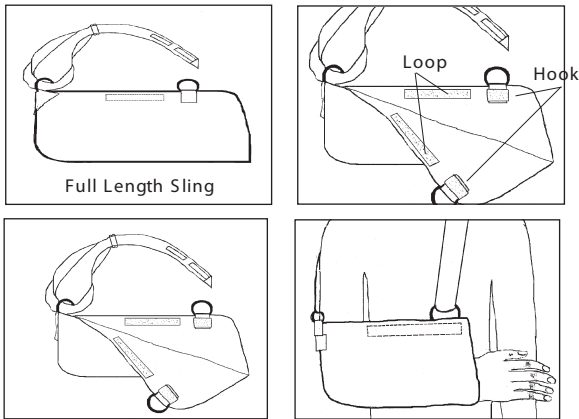
Breg, Inc.
2611 Commerce Way
Vista, CA 92081 U.S.A.
P: 800-321-0607
F: 800-329-2734

www.breg.com
Breg is an Orthofix company

AW - 1.94007 Rev B 0411

Classic Arm Sling, Universal

Application Instructions



1. Depending on arm length, size sling by adjusting the hook and loop on the inside of the sling.
2. Fold material over as shown above and attach hook and loop.
3. Position open sling on affected arm and secure strap around neck.



Manufactured For:

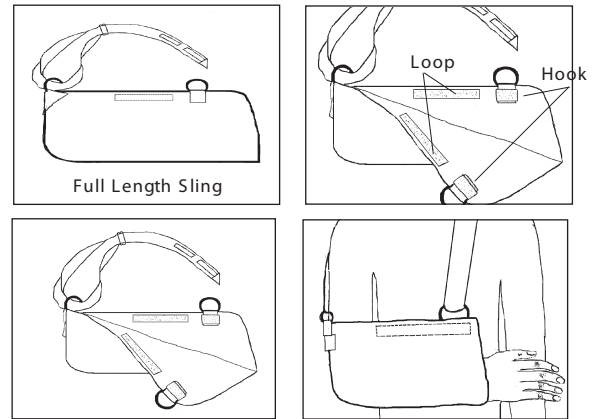
Breg, Inc.
2611 Commerce Way
Vista, CA 92081 U.S.A.
P: 800-321-0607
F: 800-329-2734

www.breg.com
Breg is an Orthofix company

AW - 1.94007 Rev B 0411

Classic Arm Sling, Universal

Application Instructions



1. Depending on arm length, size sling by adjusting the hook and loop on the inside of the sling.
2. Fold material over as shown above and attach hook and loop.
3. Position open sling on affected arm and secure strap around neck.



Manufactured For:

Breg, Inc.
2611 Commerce Way
Vista, CA 92081 U.S.A.
P: 800-321-0607
F: 800-329-2734

www.breg.com
Breg is an Orthofix company

AW - 1.94007 Rev B 0411