

# Universal Cervical Collar

## FITTING INSTRUCTIONS



**BREG Inc.**  
Vista, CA 92081 U.S.A.  
WWW.BREG.COM

Telephone (800) 321-0607  
(760) 599-3000  
Telefax (760) 598-6193

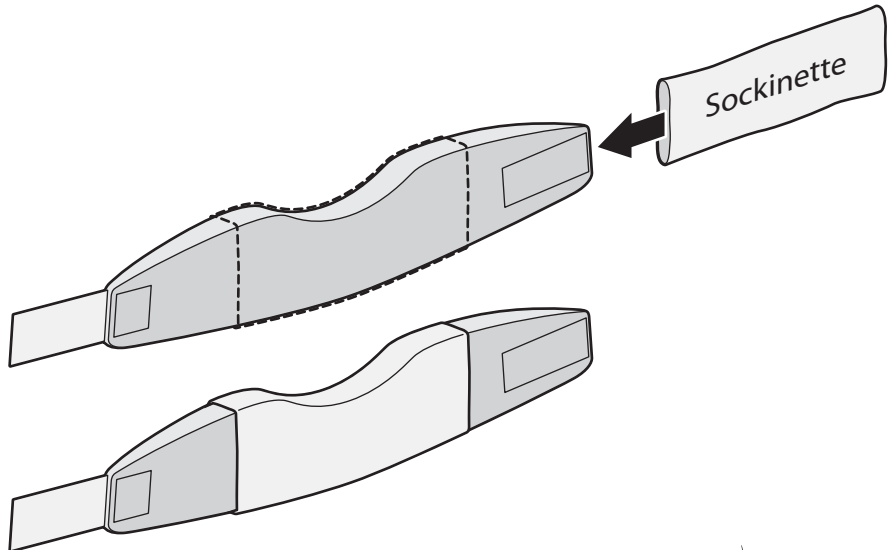
AW-1.90212 REV A

### ⚠ W A R N I N G S ⚠

- CAUTION:** FEDERAL LAW RESTRICTS THIS DEVICE TO SALE BY OR ON THE ORDER OF A LICENSED HEALTH CARE PRACTITIONER.
- CAUTION:** FOR SINGLE PATIENT USE ONLY.
- CAUTION:** IF YOU EXPERIENCE INCREASED PAIN, SWELLING, OR ANY ADVERSE REACTIONS WHILE USING THIS PRODUCT, IMMEDIATELY CONSULT YOUR MEDICAL PROFESSIONAL.
- WARNING:** CAREFULLY READ FITTING INSTRUCTIONS AND WARNINGS PRIOR TO USE.
- WARNING:** THIS DEVICE WILL NOT PREVENT OR REDUCE ALL INJURIES. PROPER REHABILITATION AND ACTIVITY MODIFICATION ARE ALSO AN ESSENTIAL PART OF A SAFE TREATMENT PROGRAM.

**1**

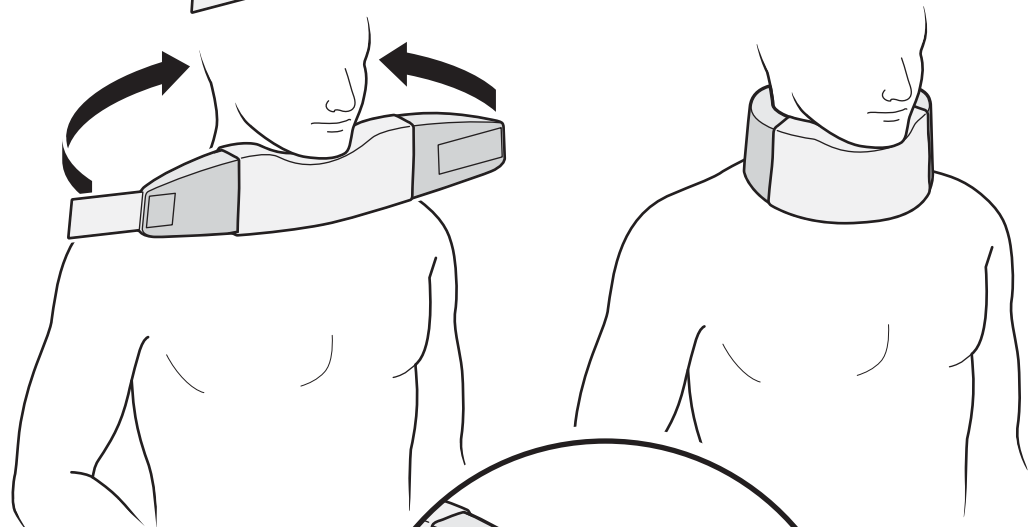
Unfasten hook and loop closure and slide Cervical Collar through sockinette. The sockinette should be centered around the dip in the brace.



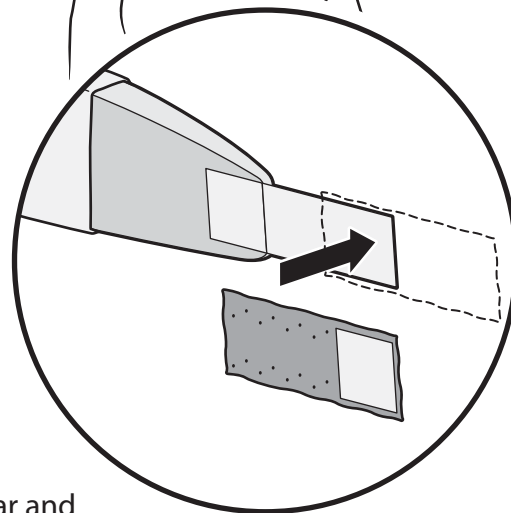
**2**

Rest the patient's chin in dip in Cervical Collar and wrap the collar around the patient's neck.

Fasten hook and loop closure.



To increase the circumference of the collar, attach blue extension strips to hook and loop closure.



**Washing Instructions:** Remove sockinette from collar and hand wash in warm water using a mild detergent. Air dry.